



STRAND 23

500 W HALOGEN PROFILE SPOT

20 010 03

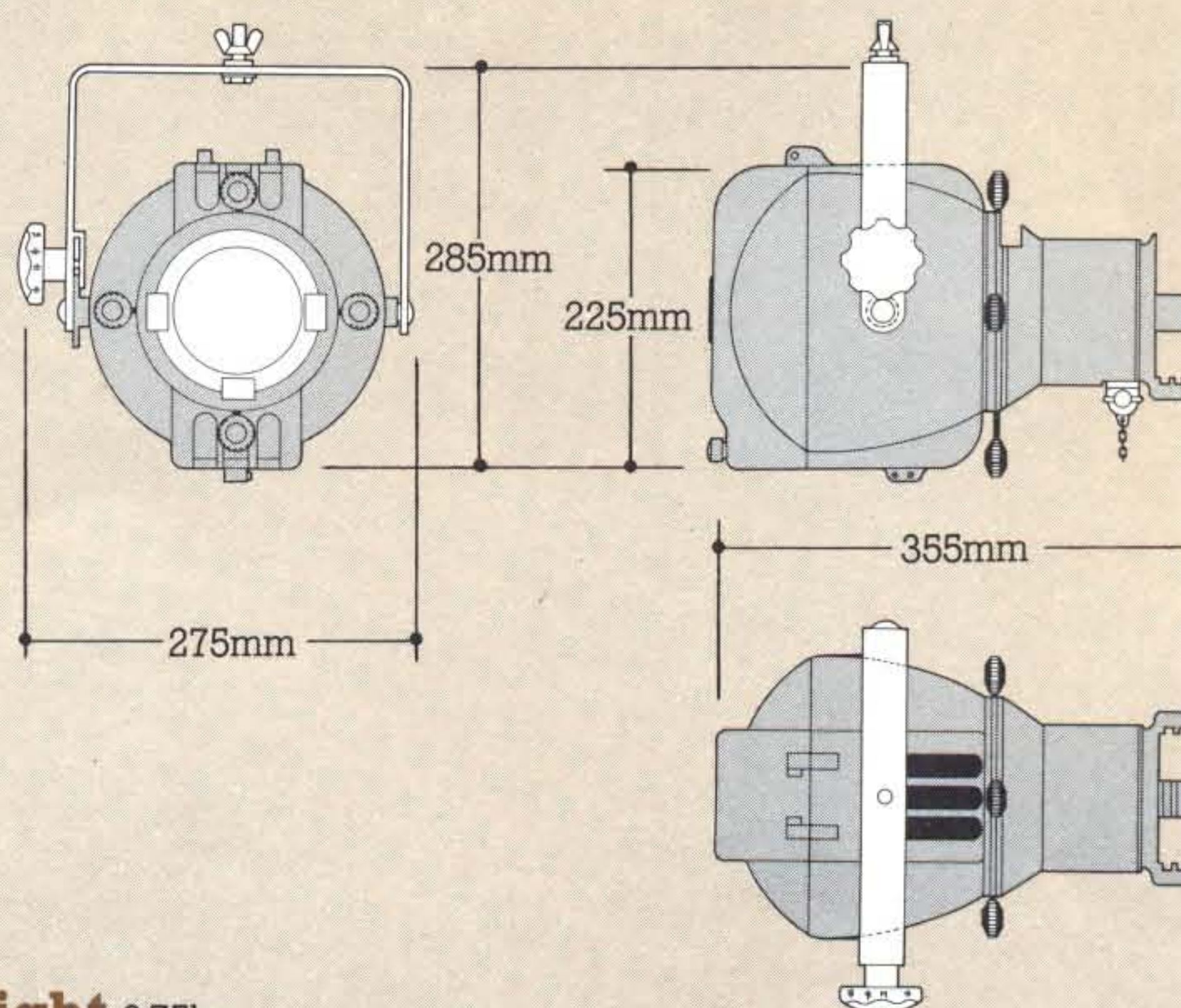


The ubiquitous, pressure die-cast Profile spot providing a wide angle beam which can conveniently and accurately be shaped by four externally operated shutters each capable of a full 90° rotation around the optical axis. The maximum spread with the shutters all withdrawn to their limit of movement is a wide, 30° circular beam suitable for throw distances up to around 8 metres. Smaller circular beams can be obtained by the addition of an iris diaphragm accessory to the gate runners. The 90mm diameter plano-convex lens can provide a hard-edge to the beam and is suitable for the projection of any shape or pattern cut-out of thin metal.

The Patt. 23 has a frontal, annular reflector as well as a faceted rear reflector to collect the maximum light from a 500 watt maximum halogen, or conventional, projector lamp and is now fitted with a strong, steel fork and handgrip knob for the friction disc tilt clamp.

Dimensions

Scale 1:10



Order Codes

Patt. 23 Profile Spot, 30° maximum	20 010 03
500W 240v Class T/17 Halogen lamp	34 217 09
9,500 lm, 750 hr. obj. life	
500W 240v Class T/1 non-halogen lamp	34 111 1T
9,500 lm, 200 hr. obj. life	

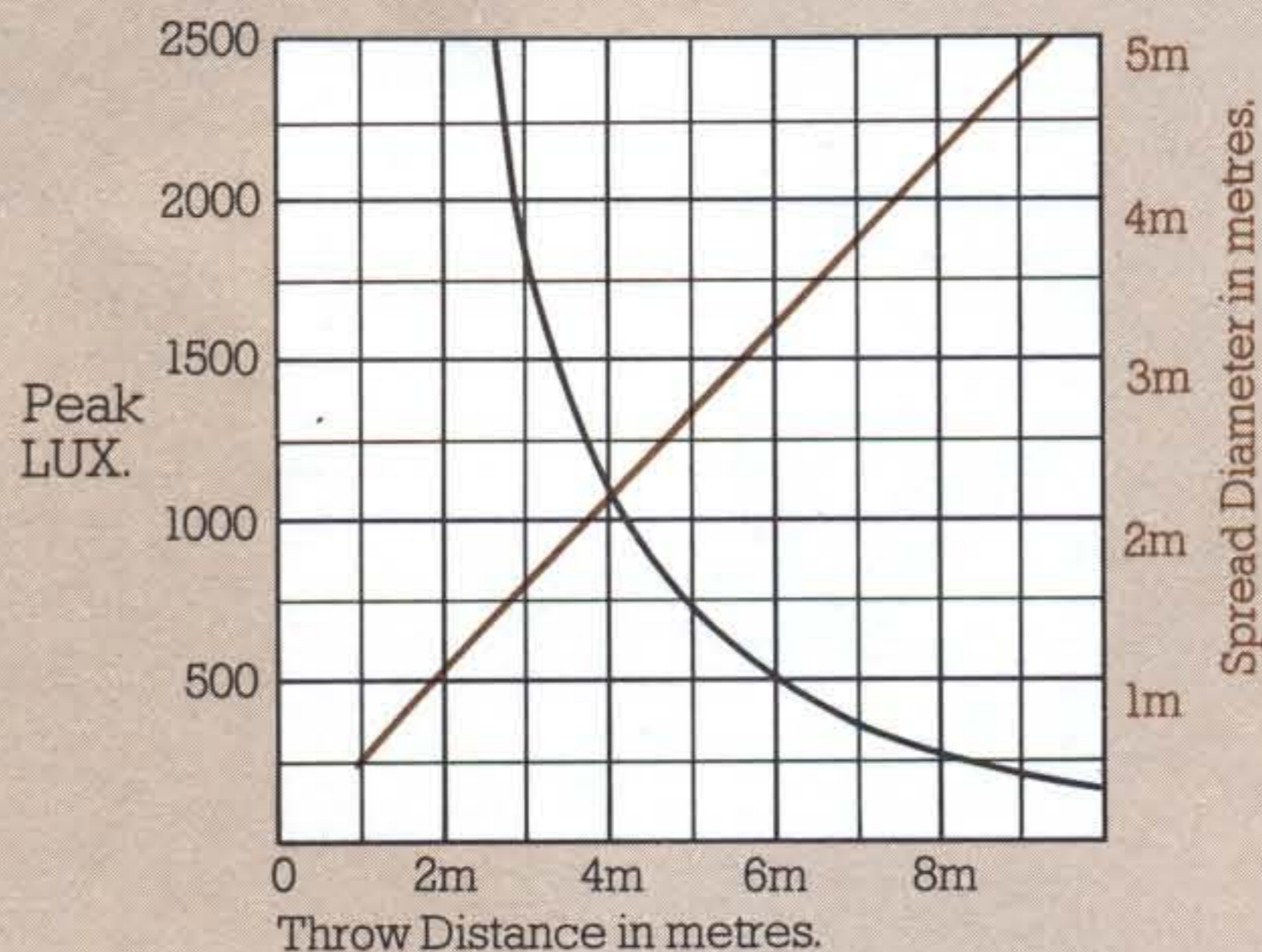
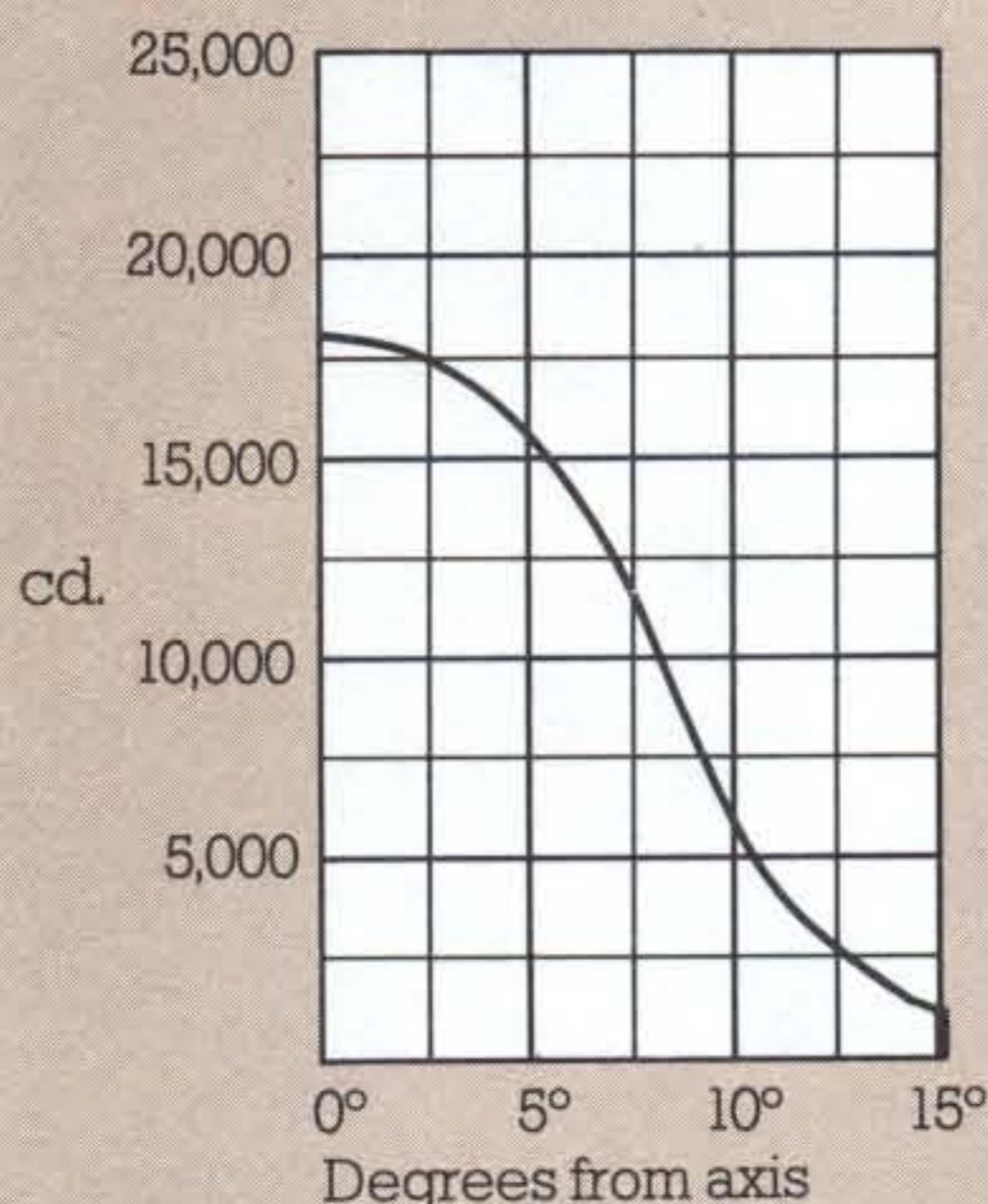
Weight 3.75kg
 Carton size 395 x 345 x 260mm
 Packed weight 4.75kg

Performance

Typical performance, based upon
500W 240v Class T/17 calibrated lamp,
C.13 filament, 9,500 lm.

Maximum circle, hard-edge focus

Cut-off angle 30° maximum
½ peak angle 17° maximum
18,000 peak candela (cd).



The Company reserves the right to make any variation in design or construction to the equipment described.

Specification**Lamphouse**

Pressure die-cast aluminium alloy, with top-hinged rear access.

Fork

Mild steel, reversible, with 50mm dia. friction disc and handgrip knob for tilt clamp. Fork threaded and supplied with 3/8-in. Whit. bolt, washers and wingnut for suspension and swivel clamp.

Lampholder

P.28s medium pefocus, porcelain body, fitted with 1m external length of 3 x 1.5mm² conductor, toughened silicone rubber insulated and sheathed flexible cable, secured by a strain-relief gland.

Reflectors

180mm dia. faceted ellipsoidal rear reflector and spherical, annular frontal reflector, both of polished anodised aluminium.

Gate Assembly

Four steel alloy beam-shaping shutters, each capable of 90° rotation around the optical axis, with heat-resisting, serrated-edge knobs with recessed fixing. Top-access gate runners for addition of drop-in iris diaphragm accessory.

Lens

89 x 125mm plano-convex, in sliding die-cast lens tube secured by a safety chain and locked by a tommy-bar thumbscrew.

Colour Frame

Double die-cast runners; one 100mm square colour frame supplied for 'Cinemoid'.

Finish

High temperature stoved texture black.

Lamps

500W max. P.28s (medium pefocus) base. 55.5mm l.c.l. Class T/17 Halogen or Class T/1 non-halogen recommended for stage use.

Accessories

12-leaf Iris Diaphragm	23 363 09
Additional Colour Frame	27 359 0T
Colour Change Wheel, 24v	23 890 07
Net weight 2.15kg	
Additional lens to increase beam spread to 40° max.	27 310 01



Rank Strand Electric
A Division of Rank Audio Visual Limited
P.O. Box 51, Great West Road
Brentford, Middlesex TW8 9HR
Telephone: 01-568 9222 Telex: 27976